



SANKYO REELS, INC.

REEL CATALOG

WIND the GLOBE

Sankyo Reels, Inc. was founded in 1968, and its headquarter is located in Chiba city, Japan.

We are proud that our products keep top share in the automotive industry, and its high level quality is widely recognized. Our lineup includes an abundant variety of highly functional and well designed reels, which meet every customers' demands of sizes and purposes.

In recent years, along with establishing our facilities in the US in 1997, China in 2003, Belgium in 2008 and Thailand in 2014, we started the TRIENS brand in June 2007 seeking to create a global brand for reels built on our company's reliability, advancements and refinements at the forefront. We will make great leaps into the global market with our headquarters in Japan.

Triens has won several design awards for our innovative and modern styled reels. We constantly improve the form and function of our products.

We will continue to treat all needs with importance, supply products that meet users' demands, and make great steps forward.

At TRIENS, we are committed to bringing the finest, most advanced and most innovative products to our valued customers all over the world.



"TRIENS" represents "Sankyo", comes from the Latin "tri" (three) and "consensio" (accordance).

The name encompasses the meaning of an engineering group that is always trying their best, and working to become professionals who never compromise.

These thoughts towards each of us are included in the name of TRIENS.



S series

- Air Hose Reel
- Outlet Cord Reel
- Cord Reel with light
- Cable Reel
- Water Reel



W series

- Air hose reel
- Outlet cord reel
- Cable Reel



T series

- Air Hose Reel
- Outlet Cord Reel
- Cord Reel with light
- Cable Reel



G series

- Air Hose Reel
- Water Reel
- Oil/Grease Reel



Z series

- Air Hose Reel
- Water Reel
- Oil/Grease Reel



E-series

- Air Hose Reel
- Water Reel
- Oil/Grease Reel



O series

- Air Hose Reel
- Pressure Washer Reel
- Welding Reel



H-series

- Hand Crank Hose Reel



Twin*kle 2

- Air Hose Reel
- Outlet Cord Reel
- Cord Reel with light
- Cable Reel



Reel Box

- Easy Maintenance Type
- Boat Shape
- Round Shape



Lube items

- Oil Meter
- Drip Pan
- Oil Reel
- Oil pump

S-series

Reliability and Results. TRIENS' new redesigned standard series



S-series reels are our No.1 selling reel for over 45 years. Light weight, easy to handle and convenient for restricted indoor spaces. High impact cover protects all working parts from contaminants, such as dust or dirt, and prevents hose binding and overlap. The slide-in mounting bracket allows for quick and easy installation.

*Corrosion resistant solid brass axle.

*Reel comes complete with inlet hose or cord, and mounting bracket.

Size Comparison



Frame size: Small

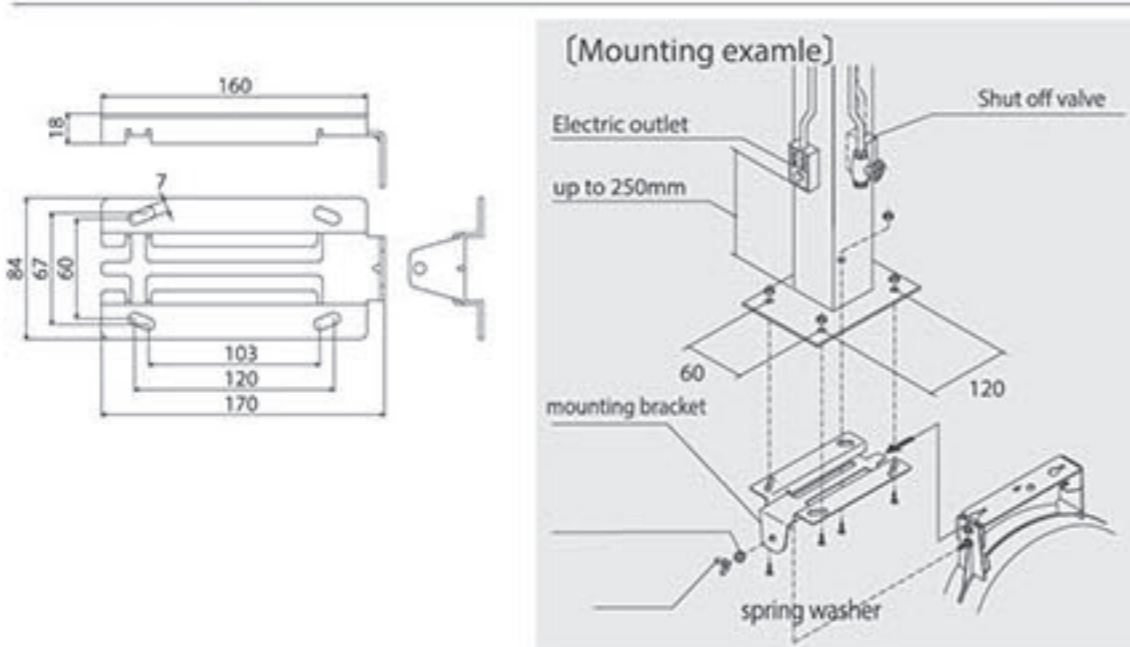


Frame size: Mid-small

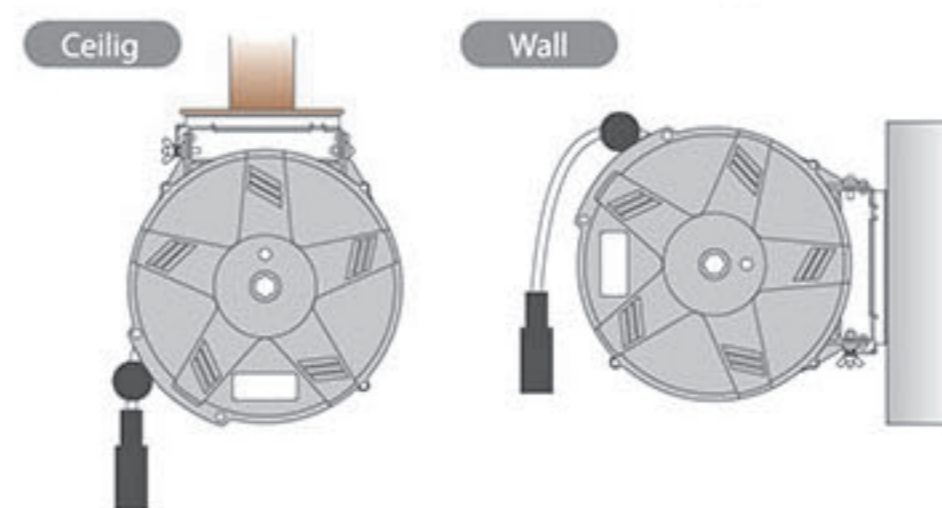


Frame size: Medium

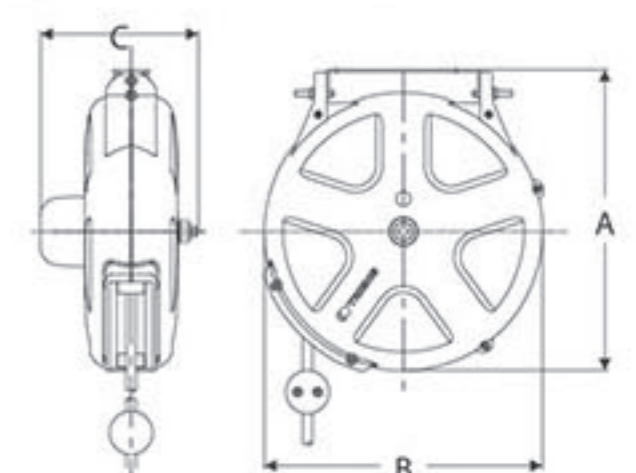
Mounting base (mm)



Ceiling or Wall mount



Dimensions



Improved support strength

Strengthened bracket support arms more than twice as previous model.



SUS Equipped with SUS protector

Stainless steel protector has been added at hose outlet to extend life of outside casing.



Easy Easy hose replacement

Easy Coupling, at the connection between outlet hose and the reel, allows for easy hose replacement.



Air Hose Reels(small)



Air Hose Reels SHS-210Z

6.5 mm 10m

- High-quality polyurethane hose.
- Easy couplings are equipped.

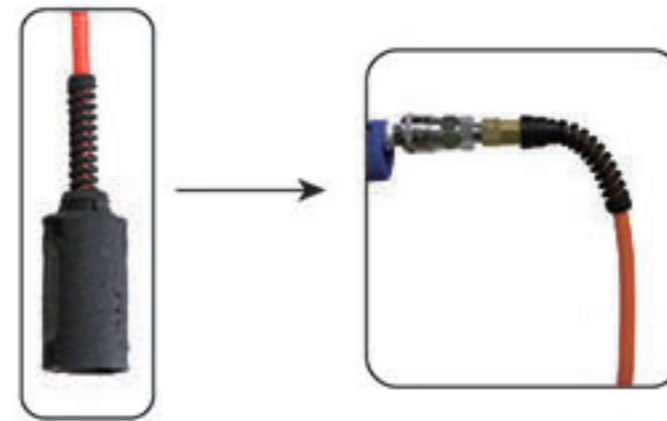
Air Hose Reels SHS-213A

6.5 mm 13m

SHS-310A

8.0 mm 10m

NEW End fitting spring and cover (OPTIONAL)



- Kink-free spring for better hose life.

More detail:



※Only available for 6.5mm PU hose.

Model	Outlet hose				MPa	Inlet Hose		Dimensions (mm)			Weight (kg)
	I.D. (mm)	m	fittings	hose		m	Inlet	A	B	C	
✓ SHS-210Z	6.5	10	Female G1/4	PU	1.4	0.8	Swivel Fitting Male R1/4	314	290	152	3.5
✓ SHS-213A	6.5	13	Female G1/4	PU	1.4	0.8	Swivel Fitting Male R1/4	314	290	152	3.5
✓ SHS-310A	8.0	10	Female Rc3/8	PU	1.4	1.0	Swivel Fitting Male R3/8	314	290	152	3.5

Comes with mounting base set.

※inlet hose is not Anti-spark type.

Air Hose Reels(mid-small)



Air Hose Reel SHM-215

6.5 mm 15m

Air Hose Reel SHM-313

8.0 mm 13m

- High-quality polyurethane hose.
- Easy couplings are equipped.

Air Hose Reels(medium)



Air Hose Reel SHR-31Z

8.0 mm 10m

Air Hose Reel SHR-35Z

8.0 mm 15m

Model	Outlet hose				MPa	Inlet hose		Dimensions (mm)			Weight (kg)
	I.D. (mm)	m	fittings	hose		m	Inlet	A	B	C	
SHM-215	6.5	15	Female G1/4	PU	1.4	0.8	Swivel fitting male R1/4	367	337	159	4.2
SHM-313	8.0	13	Female Rc3/8	PU	1.4	1.0	Swivel fitting male R3/8	367	337	159	4.1
SHR-31Z	8.0	10	Female Rc3/8	PU	1.4	1.0	Swivel fitting male R3/8	408	384	173	6.7
SHR-35Z	8.0	15	Female Rc3/8	PU	1.4	1.0	Swivel fitting male R3/8	408	384	173	6.8
SHR-20Z	6.5	20	Female G1/4	PU	1.4	0.8	Swivel fitting male R1/4	408	384	173	7.2

Comes with mounting base set.

※inlet hose is not Anti-spark type.

Optional Color

Color variation available only for small reels.

Standard colors



✓ Gray Blue Green ✓ Orange

Special customize colors



White Red Black Yellow

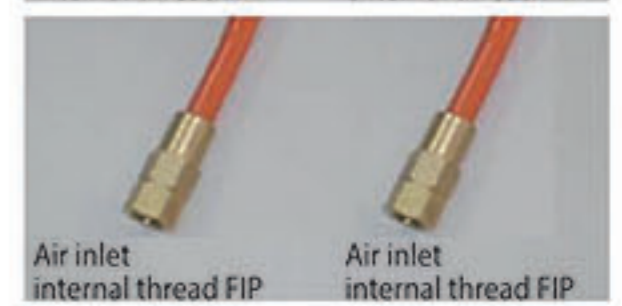
Options for air hose reel inlet and outlet



Standard A



Optional B



Optional C



※Please consult with factory for details.

Outlet Cord Reels(small)

Outlet Cord Reels(medium)



Outlet Cord Reel
SCS-310 100V 220V 10m
• Compact type triple outlet with a ground clip



Outlet Cord Reel
SLR-20N 100V 220V 20m

Model	Outlet Cord			Power Rating		Inlet cord m	Inlet Inlet	Dimension (mm)			Weight (kg)
	Wire	m	Outlet	AC125V/6A	AC250V/6A			A	B	C	
✓ SCS-310	1.25x3	10	outlet w/ground clip	AC125V/6A	AC250V/6A	0.8	plug (w/ground clip)	314	290	164	4.1
✓ SCS-315A	1.25x3	15	outlet w/ground clip	AC125V/6A	AC250V/6A	0.8	plug (w/ground clip)	314	290	164	4.8
SLR-20N	1.25x3	20	outlet w/ground clip	AC125V/6A	AC250V/6A	0.8	plug (w/ground clip)	408	384	183	8.5

Safety Device

Plug/Socket option



Safety Thermostat

Detect the heat

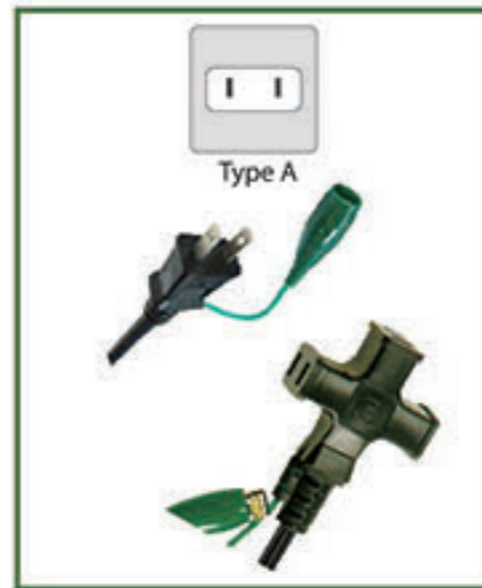
Shut off the current

Restore automatically

Thermostat sensor

prevents over heating of the reel. It shuts off the current when the temperature reached around 70°C and restores automatically when the temperature goes down.

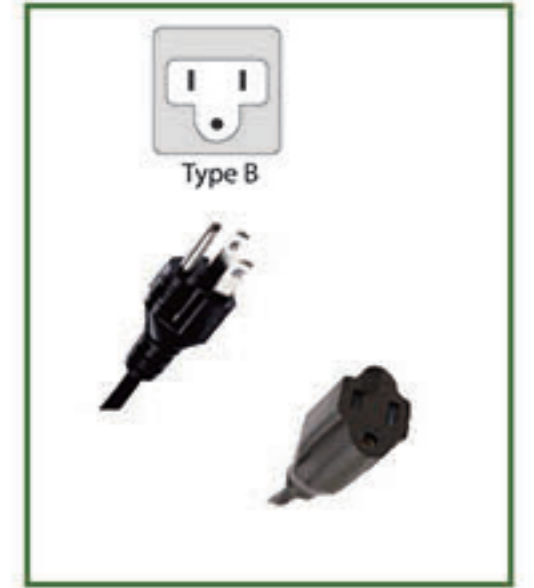
✓ **A / A3**



EF / E



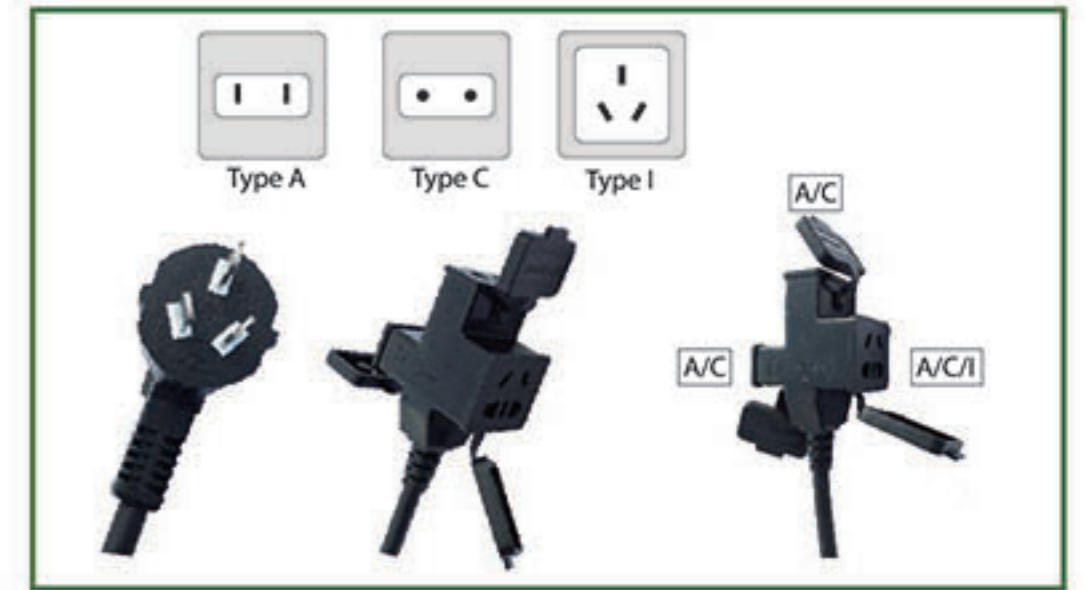
B / B



G / G



A / C / I



Control Switch Reels(small)



Control Switch Reel
SPS-308 3 wires 8m



Control Switch Reel
SPS-408 4 wires 8m



Model	Outlet Cord			Power Rating		Inlet Cord m	Inlet	Dimensions (mm)			Weight (kg)
	Wire	m	Outlet	AC125V/6A	AC250V/6A			A	B	C	
SPS-308	1.25x3	8	Round Terminal	AC125V/6A	AC250V/6A	0.8	Bullet Terminal	314	290	164	3.6
SPS-408	2.0x4	8	Round Terminal	AC125V/6A	AC250V/6A	0.8	Bullet Terminal	314	290	164	4.2

Comes with Mounting base Set

 Outlet Cord Reels with light(small)

Captain Light Reel
SCS-310C 100V 220V 10m

•Outlet Cord Reel with CL-18 (18W hand light.)

Captain Light Reel
SCS-310D 100V 220V 10m

•Outlet Cord Reel with CL-18LED (18W LED hand light.)

Captain Light Reel
SLR-15CN 100V 220V 15m

Captain Light Reel
SLR-20CN 100V 220V 20m

•Outlet Cord Reel with CL-18 (18W hand light.)

Captain Light Reel
SLR-15DN 100V 220V 15m

Captain Light Reel
SLR-20DN 100V 220V 20m

•Outlet Cord Reel with CL-18LED (18W LED hand light.)

Model	Cord			Power Rating		Inlet	Dimensions (mm)			Weight (kg)	
	Wire	m	Outlet	AC125V/6A	AC250V/6A		A	B	C		
SCS-310C	1.25x3	10	Hand light	AC125V/6A	AC250V/6A	0.8	plug (w/ground clip)	314	290	164	4.5
SLR-15CN	1.25x3	15	Hand light	AC125V/6A	AC250V/6A	0.8	plug (w/ground clip)	408	384	183	8.2
SLR-20CN	1.25x3	20	Hand light	AC125V/6A	AC250V/6A	0.8	plug (w/ground clip)	408	384	183	8.9
SCS-310D	1.25x3	10	LED Hand light	AC125V/6A	AC250V/6A	0.8	plug (w/ground clip)	314	290	164	4.5
SLR-15DN	1.25x3	15	LED Hand light	AC125V/6A	AC250V/6A	0.8	plug (w/ground clip)	408	384	183	8.2
SLR-20DN	1.25x3	20	LED Hand light	AC125V/6A	AC250V/6A	0.8	plug (w/ground clip)	408	384	183	8.9

Comes with Mounting base set.

CL-18 **CL-18LED** **Rechargeable LED Hand Light LEL-03A-S**



MOVIE Link



Replacement fluorescent lamp unit (for CL-18) **PLL-18W**




Replacement LED lamp unit (for CL-18LED) **LED-18**



Hand light line up

Model	length(m)	Power Rating	Consumption	Dimensions(mm)			Weight(g)
CL-18	0.22	AC125V / AC250V	18W	350	65	42	395
CL-1805	5	AC125V / AC250V	18W	350	65	42	425
CL-1810	10	AC125V / AC250V	18W	350	65	42	825
CL-18LED	0.22	AC125V / AC250V	7W	350	65	42	415
CL-1805LED	5	AC125V / AC250V	7W	350	65	42	445
CL-1810LED	10	AC125V / AC250V	7W	350	65	42	845

Model	Length	Power Rating	Recharge/Lighting hours	Dimensions(mm)			Weight(g)
LEL-03A-S	-	AC125V / AC250V	4 hours / 5 hours	334	32	25	200

 Water Reels (small & medium)

Water Reel
SWS-210A 6.0mm 10m

•Reliable PVC hose



WG-W1
Water Gun(Optional)



Water Reel
SWR-310 8.0mm 10m

•Reliable PVC hose



Model	Outlet Hose				MPa	Inlet Hose		Dimensions (mm)			Weight (kg)
	I.D. (mm)	m	fitting	hose		m	fittings	A	B	C	
SWS-210A	6.0	10	Male R1/4	PVC	0.5	0.8	Swivel Fitting Male R1/4	314	290	152	3.7
SWR-310	8.0	10	Male R3/8	PVC	0.5	1.0	Swivel Fitting Male R3/8	408	384	173	6.4
SWS-210A-WG-W1	6.0	10	WG-W1 water gun	PVC	0.5	0.8	Swivel Fitting Male R1/4	314	290	152	4.0
SWR-310-WG-W1	8.0	10	WG-W1 water gun	PVC	0.5	1.0	Swivel Fitting Male R3/8	408	384	173	6.7

comes with mounting base set

W-series reels are designed for extreme space-restricted applications. Perfect for under work bench mounting, can be mounted on ceiling or wall.

SUS Equipped with SUS protector

Stainless Steel protector has been added at hose outlet to extend life of outside casing.

Improved support strength

Strengthened bracket support arms more than twice of previous model.



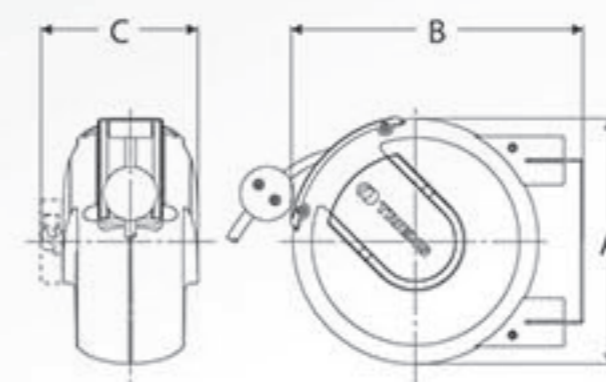
Winner of Good Design Award in 2008.

Unique Frame Design for wall installation. New Standard of our TRIENS Brand.

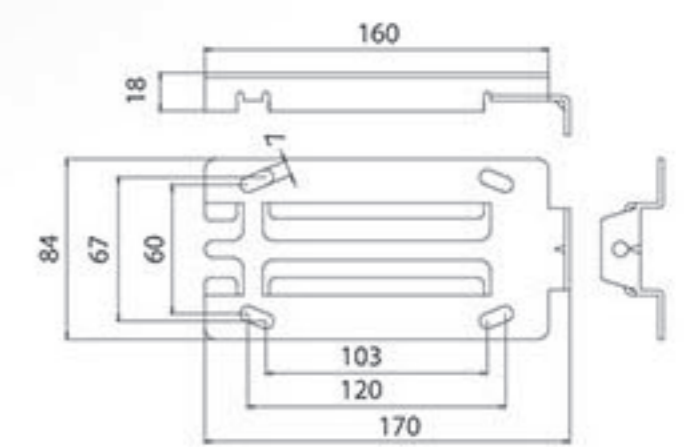
Ceiling or Wall mount



Dimensions



Mounting Bracket dimensions (mm)



Air Hose Reels



Air Hose Reel **WHC-206A** **65mm** **6m**

•High quality polyurethane hose •Easy couplings are equipped.

Model	Outlet Hose			MPa
	I.D. (mm)	m	Outlet	
WHC-206A	6.5	6	Female G1/4	1.4
WHC-303A	8.0	3	Female Rc3/8	1.4

comes with mounting base set

Air Hose Reel **WHC-303A** **8.0mm** **3m**

•High quality polyurethane hose

Model	Inlet Hose		Dimensions (mm)			Weight (kg)
	m	Inlet	A	B	C	
WHC-206A	0.8	Swivel fitting male R1/4	228	272	146	2.7
WHC-303A	1.0	Swivel fitting male R3/8	228	272	146	2.8

Outlet Cord Reels



Outlet Cord Reel **WCC-306A** **100V** **220V** **6m**

•Compact type triple outlet with a ground clip

Model	Outlet Cord		Power Rating		Inlet Cord		Dimensions (mm)			Weight (kg)
	Wire	m	Outlet		m	Inlet	A	B	C	
WCC-306A	1.25x3	6	outlet w/ground clip	AC125V/6A AC250V/6A	0.8	plug (w/ground clip)	228	272	147	3.0

comes with mounting base set

Control Switch Reel



Control Switch Reel **WPC-406A** **4 cores** **6m**

Model	Outlet Cord		Power Rating		Inlet Cord		Dimensions (mm)			Weight (kg)
	Wire	m	Outlet		m	Inlet	A	B	C	
WPC-406A	2.0x4	6	soldered wires	AC125V/6A AC250V/6A	0.8	Bullet terminal	228	272	147	3.1

Comes with mounting base set

T-series

Reliability and Results. TRIENS' new redesigned standard series

Air Hose Reels (small & Medium)



Air Hose Reel
THS-210 6.5 mm **10m**

- High-quality polyurethane hose
- Easy couplings are equipped.



Air Hose Reel
THM-310 8.0 mm **10m**

Air Hose Reel
THM-215 6.5 mm **15m**

Air Hose Reel
THM-315 8.0 mm **15m**

Air Hose Reel
THM-220 6.5 mm **20m**

- High-quality polyurethane hose
- Easy couplings are equipped.

Model	Outlet Hose				MPa	Inlet Hose		Dimensions (mm)			Weight (kg)
	I.D.(mm)	m	Outlet	Hose		m	Inlet	A	B	C	
THS-210	6.5	10	Female G1/4	PU	1.4	0.8	Swivel Fitting Male R1/4	332	310	163	3.9
THM-310	8.0	10	Female Rc3/8	PU	1.4	1.0	Swivel fitting Male R3/8	440	397	195	7.0
THM-315	8.0	15	Female Rc3/8	PU	1.4	1.0	Swivel fitting Male R3/8	440	397	195	7.4
THM-215	6.5	15	Female G1/4	PU	1.4	0.8	Swivel fitting Male R1/4	440	397	195	7.0
THM-220	6.5	20	Female G1/4	PU	1.4	0.8	Swivel fitting Male R1/4	440	397	195	7.3

Comes with mounting base set

Outlet Cord Reels (small & medium)



Output Cord Reel
TCS-310 100V 220V **10m**

- Compact type triple outlet with a ground clip

Outlet Cord Reel
TCM-315 100V 220V **15m**

Outlet Cord Reel
TCM-320 100V 220V **20m**

Model	Outlet Cord			Power Rating		Inlet Cord		Dimensions (mm)			Weight (kg)
	Wire	m	Outlet	AC125V/6A	AC250V/6A	m	Inlet	A	B	C	
TCS-310	1.25x3	10	Socket (w/ground clip)	AC125V/6A	AC250V/6A	0.8	Plug (w/ground clip)	332	310	150	4.2
TCM-315	1.25x3	15	Socket (w/ground clip)	AC125V/6A	AC250V/6A	0.8	Plug (w/ground clip)	440	397	168	7.2
TCM-320	1.25x3	20	Socket (w/ground clip)	AC125V/6A	AC250V/6A	0.8	Plug (w/ground clip)	440	397	168	7.8

Comes with mounting base set

Control Switch Reels (small)



Control Switch Reel
TPS-308 3 cores **8m**



Control Switch Reel
TPS-408 4 cores **8m**

Model	Outlet Cord			Power Rating		Inlet Cord		Dimensions (mm)			Weight (kg)
	Wire	m	Outlet	AC125V/6A	AC250V/6A	m	Inlet	A	B	C	
TPS-308	1.25x3	8	Round Terminal	AC125V/6A	AC250V/6A	0.8	Bullet Terminal	332	310	150	4.3
TPS-408	2.0x4	8	Round Terminal	AC125V/6A	AC250V/6A	0.8	Bullet Terminal	332	310	150	4.5

Outlet Cord Reels with light (small & medium)



Captain Light Reel
TCS-310C 100V 220V **10m**

- 18W Hand Light

Captain Light Reel
TCM-315C 100V 220V **15m**

Captain Light Reel
TCM-320C 100V 220V **20m**

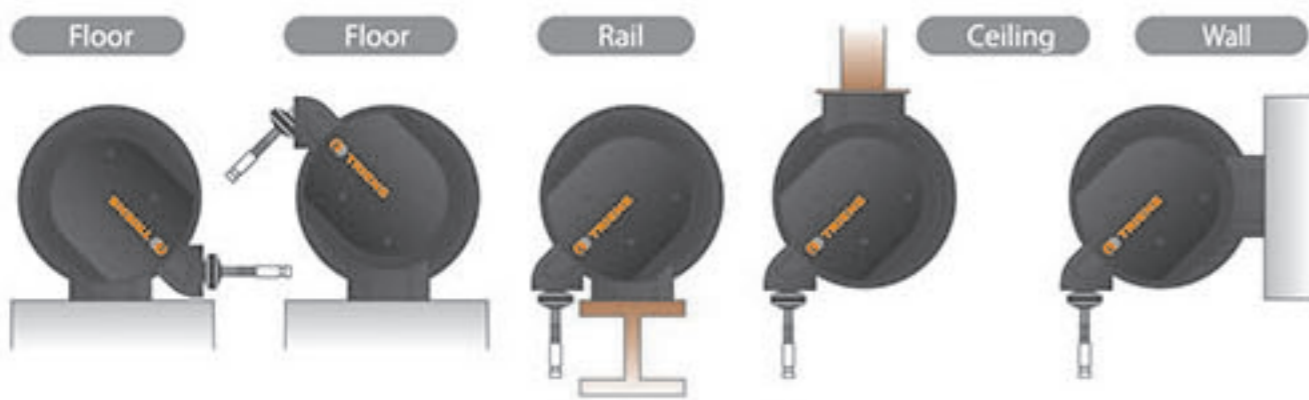
Model	Outlet Cord			Power Rating		Inlet Cord		Dimensions (mm)			Weight (kg)
	Wire	m	Outlet	AC125V/6A	AC250V/6A	m	Inlet	A	B	C	
TCS-310C	1.25x3	10	Hand light	AC125V/6A	AC250V/6A	0.8	Plug (w/ground clip)	332	310	150	4.6
TCM-315C	1.25x3	15	Hand light	AC125V/6A	AC250V/6A	0.8	Plug (w/ground clip)	440	397	168	7.7
TCM-320C	1.25x3	20	Hand light	AC125V/6A	AC250V/6A	0.8	Plug (w/ground clip)	440	397	168	8.2

Comes with mounting base set

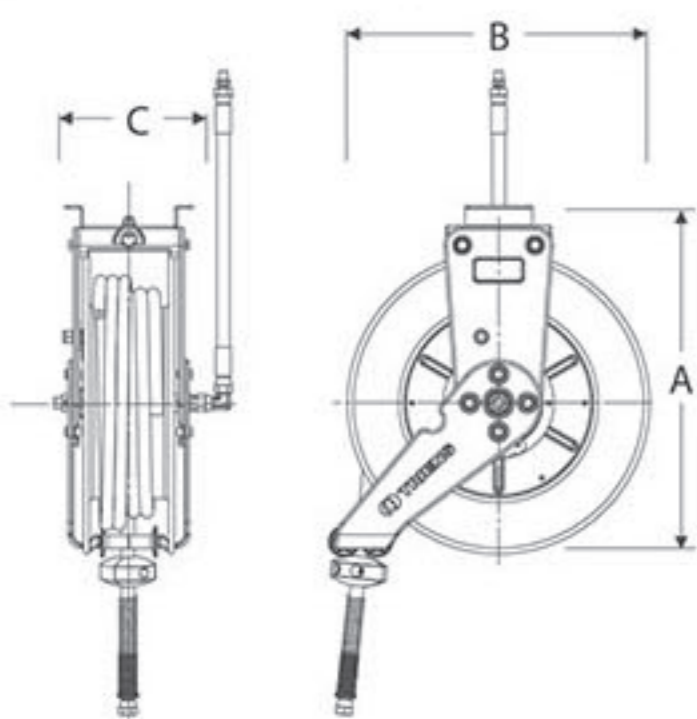
Dual pedestal for heavy duty applications.
 Handles wide range of fluid.
 Comes with slide in mounting base.
 Arm is adjustable for 5 different positions.



Reel can be adjusted 5 different positions

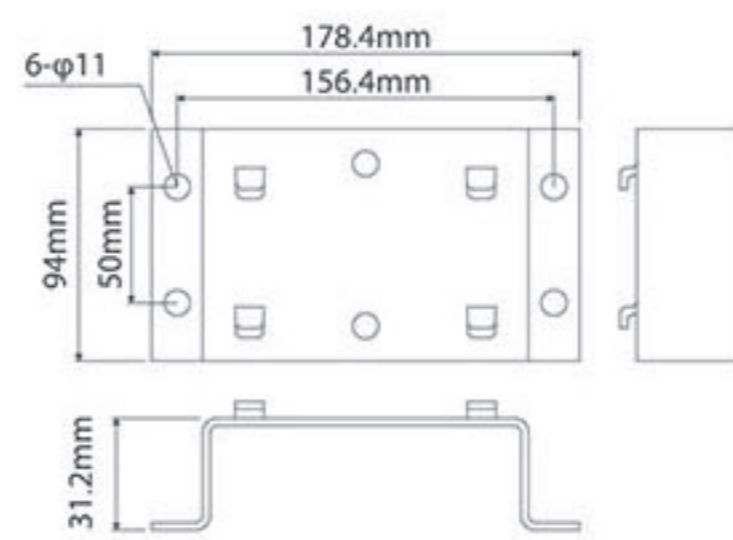


Dimensions

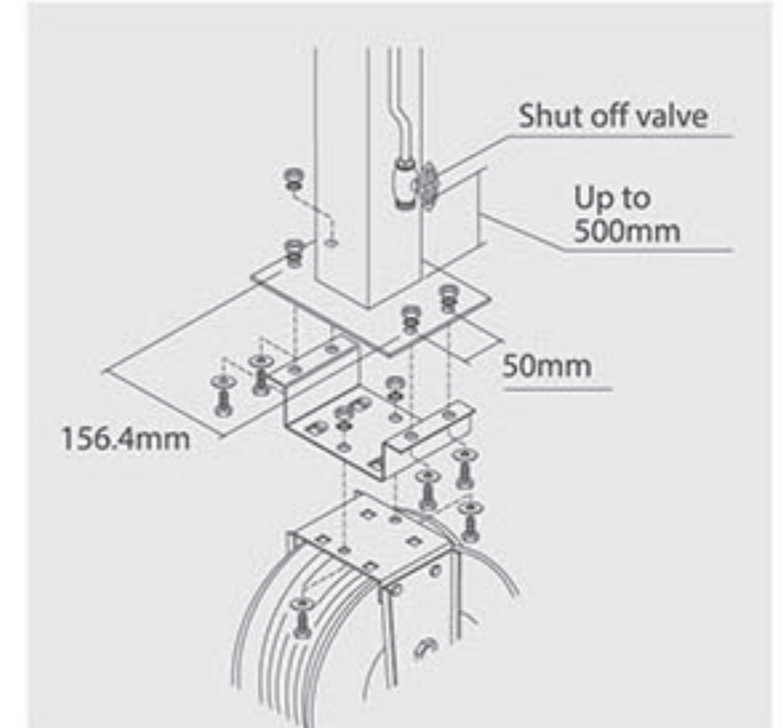


	[mm]		
	A	B	C
GS	461	447	245
GM	566	551	245
GL	666	650	275

Mounting bracket dimensions mm



Installation example mm



※White color option is available .

Hose length is customizable for longer applications. Please consult with factory for details.

G series Small



Air Hose Reels



Water Reels



Oil Reels



Grease Reels



GS

	Model	I.D.(mm)	outlet hose			MPa	inlet hose		weight (kg)
			m	fittings	hose		m	fittings	
air	GS A-315	8.0	15	Union G 3/8 Female	PVC	1.4	1.0	Union G 3/8 Female	13.5
air	GS A-410	13.0	10	Union G 1/2 Female	PVC	1.4	1.0	Union G 1/2 Female	14.9
water	GS W-315	8.0	15	Union G 3/8 Female	PVC	0.5	1.0	Union G 3/8 Female	13.5
water	GS W-410	13.0	10	Union G 1/2 Female	PVC	0.5	1.0	Union G 1/2 Female	14.9
oil	GS O-310	9.5	10	Union G 3/8 Female	1 braid	7.0	1.0	Union G 3/8 Female	15.7
oil	GS O-410	12.7	10	Union G 1/2 Female	1 braid	7.0	1.0	Union G 1/2 Female	16.8
grease	GS G-210	6.2	10	Union G 1/4 Female	2 braid	28.0	1.0	Union G 1/4 Female	15.8
grease	GS G-310	9.3	10	Union G 3/8 Female	2 braid	28.0	1.0	Union G 3/8 Female	17.7

Comes with inlet hose ,nipple and mounting base set.

G series Medium



Air Hose Reels



Water Reels



Oil Reels



Grease Reels



GM

	Model	I.D.(mm)	outlet hose			MPa	inlet hose		weight (kg)
			m	fittings	hose		m	fittings	
air	GM A-320	8.0	20	Union G 3/8 Female	PVC	1.4	1.0	Union G 3/8 Female	16.9
air	GM A-325	8.0	25	Union G 3/8 Female	PVC	1.4	1.0	Union G 3/8 Female	17.4
air	GM A-330	8.0	30	Union G 3/8 Female	PVC	1.4	1.0	Union G 3/8 Female	17.9
air	GM A-415	13.0	15	Union G 1/2 Female	PVC	1.4	1.0	Union G 1/2 Female	17.8
air	GM A-420	13.0	20	Union G 1/2 Female	PVC	1.4	1.0	Union G 1/2 Female	18.8
water	GM W-320	8.0	20	Union G 3/8 Female	PVC	0.5	1.0	Union G 3/8 Female	16.9
water	GM W-325	8.0	25	Union G 3/8 Female	PVC	0.5	1.0	Union G 3/8 Female	17.4
water	GM W-330	8.0	30	Union G 3/8 Female	PVC	0.5	1.0	Union G 3/8 Female	17.9
water	GM W-415	13.0	15	Union G 1/2 Female	PVC	0.5	1.0	Union G 1/2 Female	17.8
water	GM W-420	13.0	20	Union G 1/2 Female	PVC	0.5	1.0	Union G 1/2 Female	18.8
oil	GM O-315	9.5	15	Union G 3/8 Female	1 braid	7.0	1.0	Union G 3/8 Female	20.8
oil	GM O-320	9.5	20	Union G 3/8 Female	1 braid	7.0	1.0	Union G 3/8 Female	22.4
oil	GM O-415	12.7	15	Union G 1/2 Female	1 braid	7.0	1.0	Union G 1/2 Female	32.0
grease	GM G-215	6.2	15	Union G 1/4 Female	2 braid	28.0	1.0	Union G 1/4 Female	20.8
grease	GM G-220	6.2	20	Union G 1/4 Female	2 braid	28.0	1.0	Union G 1/4 Female	22.5
grease	GM G-315	9.3	15	Union G 3/8 Female	2 braid	28.0	1.0	Union G 3/8 Female	23.8

Comes with inlet hose ,nipple and mounting base set.

G series Large



Air Hose Reels



Water Reels



Oil Reels



Grease Reels



GL

	Model	I.D.(mm)	outlet hose			MPa	inlet hose		weight (kg)
			m	fittings	hose		m	fittings	
air	GL A-425	13.0	25	Union G1/2 Female	PVC	1.4	1.0	Union G1/2 Female	31.6
air	GL A-430	13.0	30	Union G1/2 Female	PVC	1.4	1.0	Union G1/2 Female	32.7
air	GL A-435	13.0	35	Union G1/2 Female	PVC	1.4	1.0	Union G1/2 Female	33.7
air	GL A-610	19.0	10	Union G3/4 Female	PVC	1.4	1.0	Union G3/4 Female	29.5
air	GL A-615	19.0	15	Union G3/4 Female	PVC	1.4	1.0	Union G3/4 Female	31.1
water	GL W-425	13.0	25	Union G1/2 Female	PVC	0.5	1.0	Union G1/2 Female	31.6
water	GL W-430	13.0	30	Union G1/2 Female	PVC	0.5	1.0	Union G1/2 Female	32.7
water	GL W-435	13.0	35	Union G1/2 Female	PVC	0.5	1.0	Union G1/2 Female	33.7
oil	GL O-420	12.7	20	Union G1/2 Female	1 braid	7.0	1.0	Union G1/2 Female	36.2
oil	GL O-425	12.7	25	Union G1/2 Female	1 braid	7.0	1.0	Union G1/2 Female	38.4
oil	GL O-610	19.0	10	Union G3/4 Female	1 braid	7.0	1.0	Union G3/4 Female	36.7

Comes with inlet hose ,nipple and mounting base set.

Z-series

Single Arm Heavy Duty Series

Z series Small



Air Hose Reels



Water Reels



Oil Reels



Grease Reels



ZS

	Model	I.D.(mm)	outlet hose			MPa	inlet hose		weight (kg)
			m	fittings	hose		m	fittings	
air	ZSA-310	8.0	10	Union G 3/8 Female	PVC	1.4	1.0	Union G 3/8 Female	14.4
air	ZSA-408	13.0	8	Union G 1/2 Female	PVC	1.4	1.0	Union G 1/2 Female	16.0
water	ZSW-310	8.0	10	Union G 3/8 Female	PVC	0.5	1.0	Union G 3/8 Female	14.4
water	ZSW-408	13.0	8	Union G 1/2 Female	PVC	0.5	1.0	Union G 1/2 Female	16.0
oil	ZSO-308	9.5	8	Union G 3/8 Female	1 braid	7.0	1.0	Union G 3/8 Female	18.0
grease	ZSG-208	6.2	8	Union G 1/4 Female	2 braid	28.0	1.0	Union G 1/4 Female	18.0

Comes with inlet hose ,nipple and mounting base set.

Z series Large



Air Hose Reels



Water Reels



Oil Reels



Grease Reels

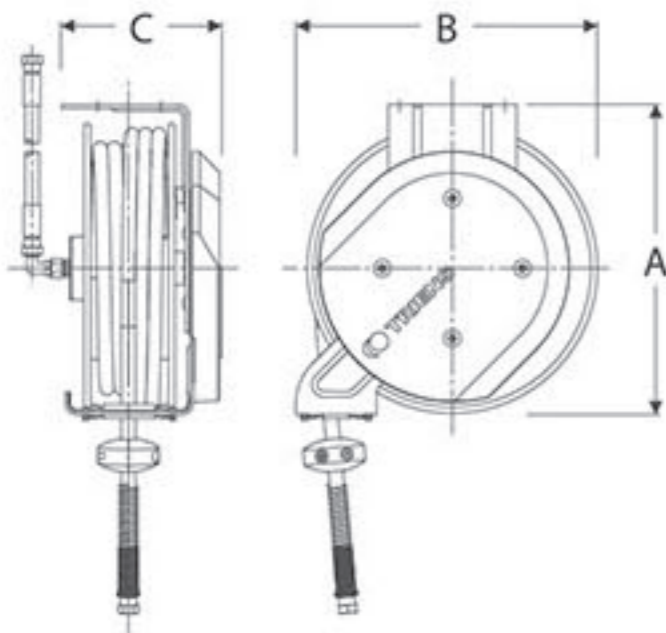


ZL

	Model	I.D.(mm)	outlet hose			MPa	inlet hose		weight (kg)
			m	fittings	hose		m	fittings	
air	ZLA-415	13.0	15	Union G 1/2 Female	PVC	1.4	1.0	Union G 1/2 Female	22.9
air	ZLA-420	13.0	20	Union G 1/2 Female	PVC	1.4	1.0	Union G 1/2 Female	23.9
water	ZLW-415	13.0	15	Union G 1/2 Female	PVC	0.5	1.0	Union G 1/2 Female	22.9
water	ZLW-420	13.0	20	Union G 1/2 Female	PVC	0.5	1.0	Union G 1/2 Female	23.9
oil	ZLO-315	9.5	15	Union G 3/8 Female	1 braid	7.0	1.0	Union G 3/8 Female	26.0
oil	ZLO-320	9.5	20	Union G 3/8 Female	1 braid	7.0	1.0	Union G 3/8 Female	28.3
oil	ZLO-410	12.7	10	Union G 1/2 Female	1 braid	7.0	1.0	Union G 1/2 Female	25.4
oil	ZLO-415	12.7	15	Union G 1/2 Female	1 braid	7.0	1.0	Union G 1/2 Female	27.6
grease	ZLG-215	6.2	15	Union G 1/4 Female	2 braid	28.0	1.0	Union G 1/4 Female	26.4
grease	ZLG-220	6.2	20	Union G 1/4 Female	2 braid	28.0	1.0	Union G 1/4 Female	28.4
grease	ZLG-315	9.3	15	Union G 3/8 Female	2 braid	28.0	1.0	Union G 3/8 Female	29.4

Comes with inlet hose ,nipple and mounting base set.

Dimensions



	A	B	C	[mm]
ZS	390	380	202	
ZL	540	516	205	

Standard Color



Dark gray

ZS □-XXX□
ZL □-XXX□

Optional paint (Special Order)



Light gray

ZS □-XXXL
ZL □-XXXL



Orange

ZS □-XXXO
ZL □-XXXO

E-series

Enclosed Heavy Duty Hose Reels

E series Small



Air Hose Reels



Water Reels



Oil Reels



Grease Reels



ES

	Model	I.D.(mm)	outlet hose			MPa	inlet hose		weight (kg)
			m	fittings	hose		m	fittings	
air	ESA-315	8.0	15	Union G 3/8 Female	PVC	1.4	1.0	Union G 3/8 Female	17.4
air	ESA-410	13.0	10	Union G 1/2 Female	PVC	1.4	1.0	Union G 1/2 Female	18.8
water	ESW-315	8.0	15	Union G 3/8 Female	PVC	0.5	1.0	Union G 3/8 Female	17.4
water	ESW-410	13.0	10	Union G 1/2 Female	PVC	0.5	1.0	Union G 1/2 Female	18.8
oil	ESO-310	9.5	10	Union G 3/8 Female	1 braid	7.0	1.0	Union G 3/8 Female	19.6
oil	ESO-410	12.7	10	Union G 1/2 Female	1 braid	7.0	1.0	Union G 1/2 Female	20.7
grease	ESG-210	6.2	10	Union G 1/4 Female	2 braid	28.0	1.0	Union G 1/4 Female	19.7
grease	ESG-310	9.3	10	Union G 3/8 Female	2 braid	28.0	1.0	Union G 3/8 Female	21.6

Comes with inlet hose ,nipple and mounting base set.

E series Large



Air Hose Reels



Water Reels



Oil Reels



Grease Reels

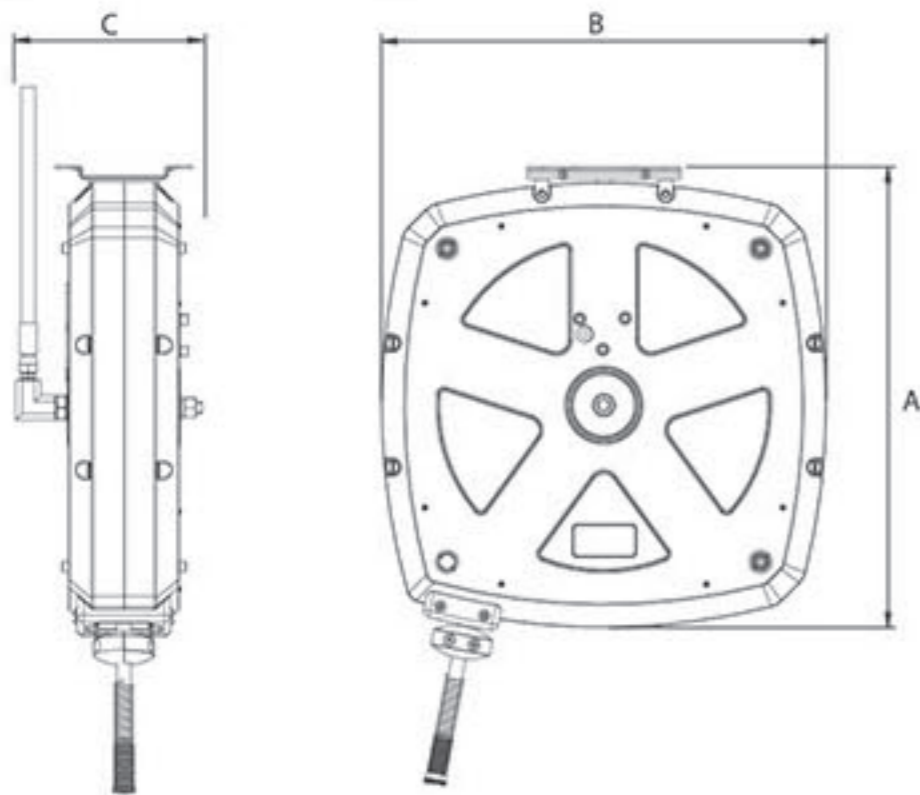


EL

	Model	I.D.(mm)	outlet hose			MPa	inlet hose		weight (kg)
			m	fittings	hose		m	fittings	
air	ELA-330	8.0	30	Union G 3/8 Female	PVC	1.4	1.0	Union G 3/8 Female	25.6
air	ELA-415	13.0	15	Union G 1/2 Female	PVC	1.4	1.0	Union G 1/2 Female	27.9
air	ELA-420	13.0	20	Union G 1/2 Female	PVC	1.4	1.0	Union G 1/2 Female	29.6
water	ELW-330	8.0	30	Union G 3/8 Female	PVC	0.5	1.0	Union G 3/8 Female	25.6
water	ELW-415	13.0	15	Union G 1/2 Female	PVC	0.5	1.0	Union G 1/2 Female	27.9
water	ELW-420	13.0	20	Union G 1/2 Female	PVC	0.5	1.0	Union G 1/2 Female	29.6
oil	ELO-315	9.5	15	Union G 3/8 Female	1 braid	7.0	1.0	Union G 3/8 Female	28.0
oil	ELO-320	9.5	20	Union G 3/8 Female	1 braid	7.0	1.0	Union G 3/8 Female	29.2
oil	ELO-410	12.7	10	Union G 1/2 Female	1 braid	7.0	1.0	Union G 1/2 Female	29.4
oil	ELO-415	12.7	15	Union G 1/2 Female	1 braid	7.0	1.0	Union G 1/2 Female	31.1
grease	ELG-215	6.2	15	Union G 1/4 Female	2 braid	28.0	1.0	Union G 1/4 Female	26.4
grease	ELG-220	6.2	20	Union G 1/4 Female	2 braid	28.0	1.0	Union G 1/4 Female	28.4
grease	ELG-315	9.3	15	Union G 3/8 Female	2 braid	28.0	1.0	Union G 3/8 Female	29.1

Comes with inlet hose ,nipple and mounting base set.

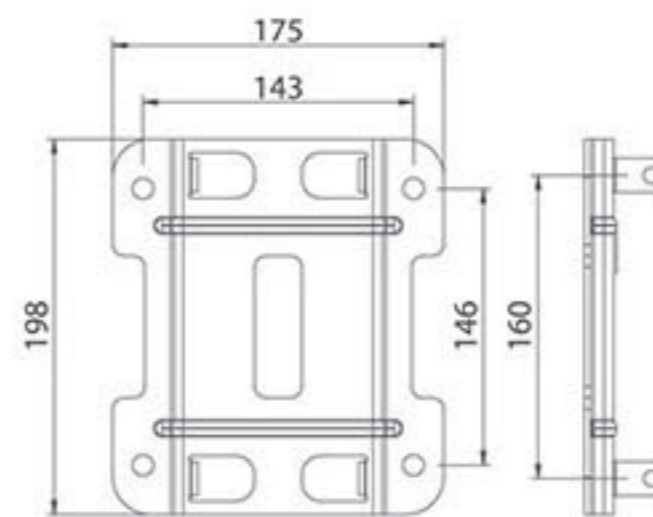
Dimensions



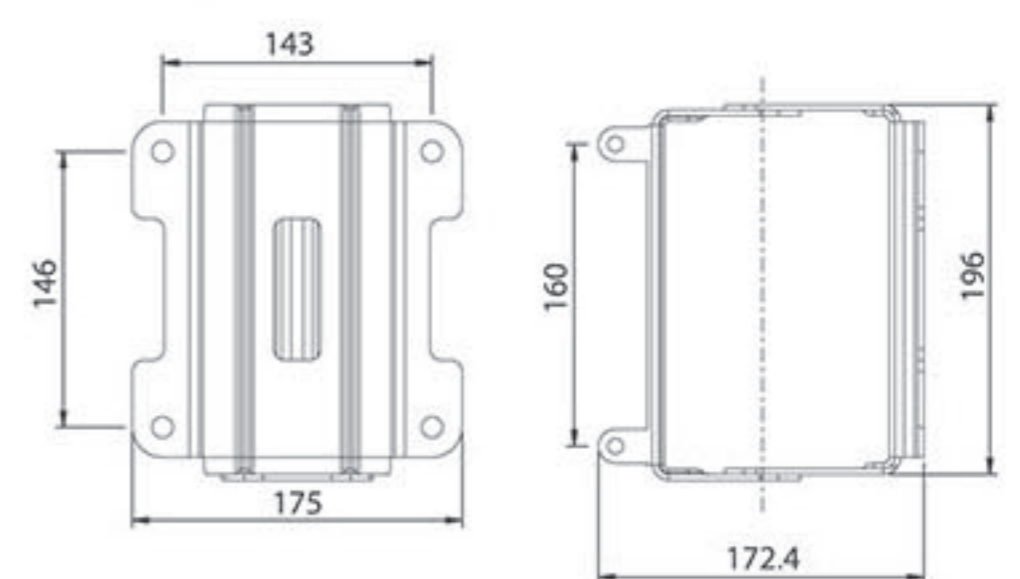
Option Installing support

(Unit: mm)

[Fixed bracket]



[Swiveling bracket]



	A	B	C	[mm]
ES	508	488	206	
EL	595	575	235	

O-series

Maximum flow, light pull-out torque

Air Hose Reels



SHR-40P

11.0 mm 15m



SHR-40PAS

11.0 mm 15m

Pressure Washer Reels



SOH-215P

6.3 mm 15m

SOH-315P

9.5 mm 15m

Model	Outlet Hose				MPa	Inlet Hose		Dimensions (mm)			Weight (kg)
	I.D. (mm)	m	fitting	Hose		m	Fittings	A	B	C	
SHR-40P	11	15	Female Rc1/2	PU	1.4	1.0	Male R1/2 (with nipple)	430	380	247	9.4
SHR-40PAS	11	15	Female Rc1/2	Anti-spark	1.4	1.0	Male R1/2 (with nipple)	430	380	247	9.4
SOH-210P	6.3	10	Union G1/4 Female	1 braid	6.7	1.5	Union G1/4 Female	430	380	247	9.7
SOH-215P	6.3	15	Union G1/4 Female	1 braid	6.7	1.5	Union G1/4 Female	430	380	247	10.8
SOH-310P	9.5	10	Union G3/8 Female	1 braid	6.7	1.5	Union G3/8 Female	430	380	247	10.4
SOH-315P	9.5	15	Union G3/8 Female	1 braid	6.7	1.5	Union G3/8 Female	430	380	247	12.4

Comes with mounting base set inlet hose

Oxy-Acetylene



SSR-20WS

5.0 mm 20m



STR-00

Welding Reels



SDR-3520

35 mm² 20m

Model	Outlet Hose			MPa	Dimensions (mm)			Weight (kg)
	I.D. (mm)	m	Hose		A	B	C	
SSR-20WS	5.0	20	double hose	0.7	410	390	300	15.8
STR-00	(max 30.0 m)		(double hose)	0.7				

Model	specification	Dimensions (mm)			Weight (kg)
		A	B	C	
SDR-3520	Cord gauge 35mm ² Maximum current 150A x 20m	435	400	450	8.1

※Oxy-Acetylene reel doesn't include inlet hose

※Outlet hose have no fittings at the hose end

H-series

Hand Crank Hose Reel Series



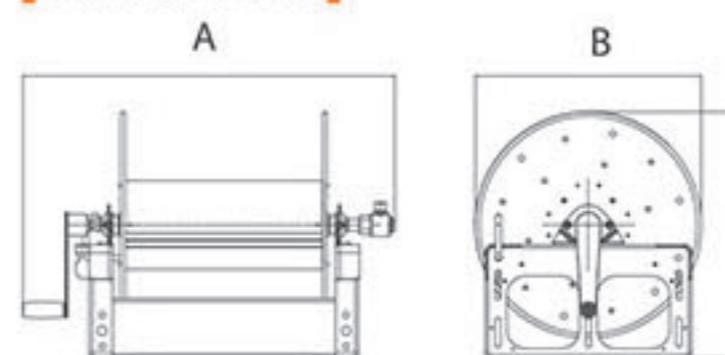
Model : HT4-60



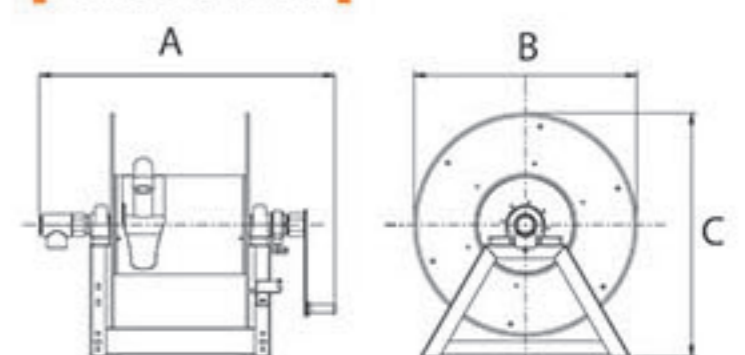
Model : HS4-60 , HS4-100 (square Base)

Ideal for turf care, pest control or industrial use.
 Full-flow hollowed shaft allows constant flow all the time.
 Dual bearing for smooth handling.
 Hand adjustable drag brake to prevent back rush.
 Heavy duty lock pin to prevent spool rotation when not in use.

Dimensions : HS



Dimensions : HT



Model	Base type	Outlet Hose Capacity			MPa	Dimensions (mm)			weight(kgs)
		I.D. (mm)	m	fittings		A	B	C	
HS4-60	Square Base	1/2"	(60)	Female BSP 1/2"	20.0	729	420	457	20.8
HS4-100	Square Base	1/2"	(100)	Female BSP 1/2"	20.0	932	420	457	43.0
HT4-60	Triangle Base	1/2"	(60)	Female BSP 1/2"	20.0	729	420	457	18.7
HT4-100	Triangle Base	1/2"	(100)	Female BSP 1/2"	20.0	932	420	457	37.0
HT12-15	Triangle Base	1 1/2"	(15)	Female BSP 1 1/2"	4.0	820	620	671	Please ask

Twin·Kle 2

TRIENS original combination reel



Reel combinations can be mixed or matched to meet your requirements. Various combination is available



Practical & Convenient

Reel cover can be easily removed for hose exchange and maintenance of reel.

Optional color



※Green color is also available

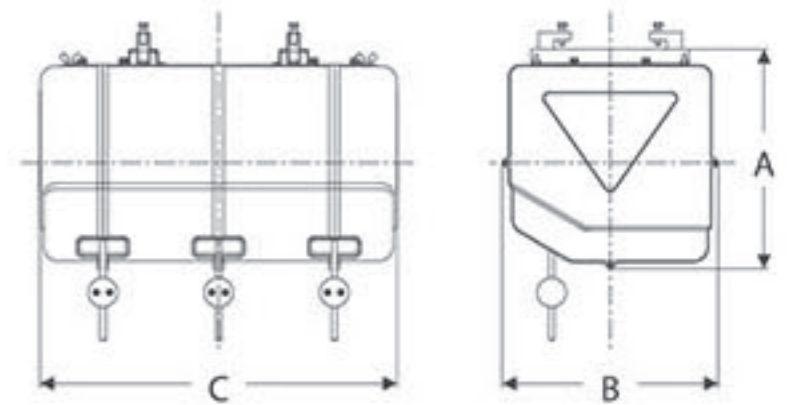
Please ask for combination you may require.

	Model	outlet hose				MPa	inlet hose		weight (kg)
		I.D.(mm)	m	fittings	hose		m	fittings	
air	TR2-A	6.5	10	Female G1/4	PU	14	0.8	Swivel Fitting male R1/4	4.2
air	TR2-A310	8.0	10	Female Rc3/8	PU	1.4	0.8	Swivel Fitting male R3/8	4.6
water	TR2-W	6.5	10	Male R1/4	PVC	0.5	0.8	Swivel Fitting male R1/4	4.4

	Model	Cord			Power Rating		Inlet Cord		weight (kg)
		Wire	m	Outlet			m	Inlet	
cord	TR2-C	1.25 x 3	10	outlet w/ ground clip	AC125V/ 6A	AC250V/ 6A	0.8	Plug (w/ ground clip)	4.9
light	TR2-CL	1.25 x 3	10	Hand light	AC125V/ 6A	AC250V/ 6A	0.8	Plug (w/ ground clip)	5.3
cable	TR2-3NL	1.25 x 3	8	Round Terminal	AC125V/ 6A	AC250V/ 6A	0.8	Bullet Terminal	4.4
cable	TR2-4NL	2.0 x 4	8	Round Terminal	AC125V/ 6A	AC250V/ 6A	0.8	Bullet Terminal	5.0

Dimensions

Unit	TR2 Body cover (mm)			Cover Weight (kg)
	A	B	C	
1	355.0	336	196	2.4
2	341.3	336	376	4.0
3	341.3	336	556	5.7

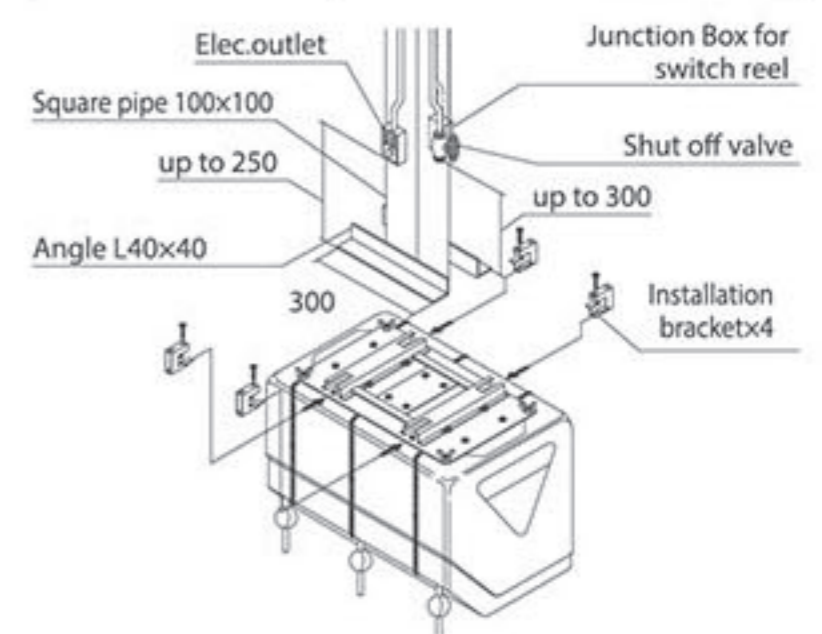


Combination Example

Model	Combination	Unit
TR2-A-CL	Air (1/4) + Captain light	2 Unit
TR2-A310-CL	Air (3/8) + Captain light	3 Unit
TR2-A-CL-A	Air (1/4) + Captain light + Air(1/4)	3 Unit
TR2-A310-C-3NL	Air (3/8) + Captain light + Cable(3wire)	3 Unit
TR2-A-C-W-4NL	Air (1/4) + Outlet + Water + Cable(4wire)	4 Unit

※Please consult with factory for other combinations you may require

Installation Example 2unit•3unit (mm)



Reel BOX LUMI-PACK

Multiple reel storage cabinets



Combination is customizable

Reel combinations can be mixed or matched to meet your requirements.

Custom logo option

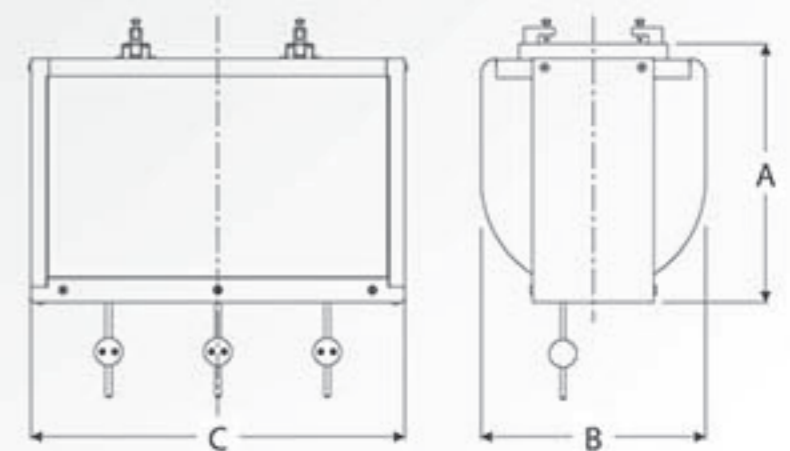
Can be customized logo for each customer. Provides eye-catching visual impact for the workplace.

Custom Paint option

Can be customized color, logo for each customer.



Dimensions



※Inside reel, switch box and logo mark are optional.

Easy Maintenance Type



Reel Box SBN-3

3 unit

Reel Box SBN-2

2 unit



Removable cover for easy maintenance and reel exchange.

※The above model are only of box type.

Please specify the models that you would like to store in the box when you order.

Boat shape



Lumi-pack Boat Shape SB-3P

3 unit

●A clean design with a white metal cover



Lumi-pack Boat Shape SB-2P

2 unit

●A clean design with a white metal cover

Round shape



Lumi-pack round shape SB-3

3 unit

●Provides an eye-catching visual impact for the workplace.

Lumi-pack round shape SB-3L

3 unit

●with light up unit

※The above models are only of box type.

Please specify the models that you would like to store in the box when you order.



Lumi-pack round shape SB-2

2 unit

●Provides an eye-catching visual impact for the workplace.

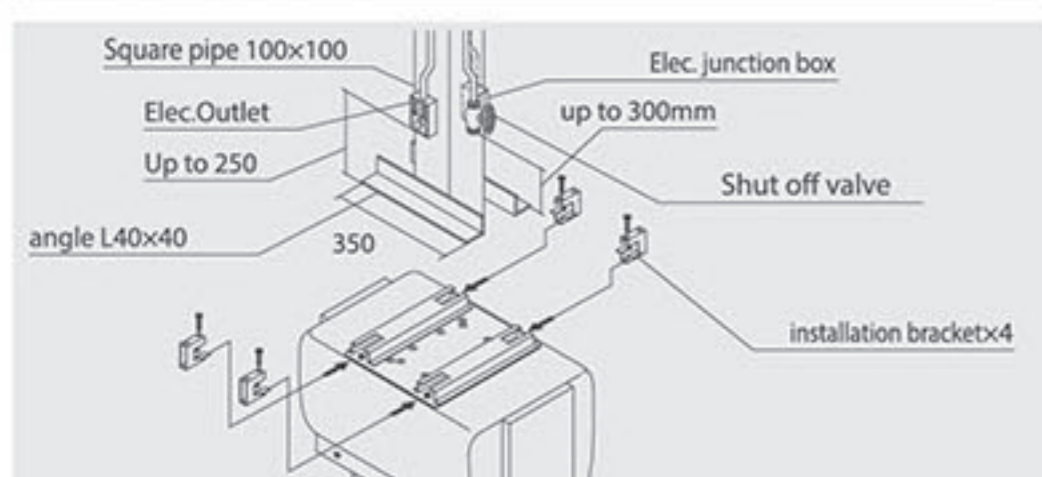
Lumi-pack round shape SB-2L

2 unit

●with light up unit

Installation example

(mm)



	Model	Number of Reels	Dimensions (mm)			Weight (kg) *
			A	B	C	
Reel Box (Easy maintenance type)	SBN-2	2	430	370	440	9.5
Reel Box (Easy maintenance type)	SBN-3	3	430	370	621	12.0
Lumi-Pack (boat shape)	SB-2P	2	380	370	385	9.0
Lumi-Pack (boat shape)	SB-3P	3	380	370	565	12.1
Lumi-Pack (boat shape)	SB-4P	4	380	370	745	14.9
Lumi-Pack (round shape)	SB-2	2	437	525	725	12.3
Lumi-Pack (round shape)	SB-3	3	437	525	868	14.6
Lumi-Pack (round shape) w / light up unit	SB-2L	2	437	525	725	15.8
Lumi-Pack (round shape) w / light up unit	SB-3L	3	437	525	868	18.7

Comes with installation bracket

SBB-series

Brand new combined reel box



※Inside reel, switch box and logo mark are optional.

SBB reel box stores multiple reels to meet customer' requirements.

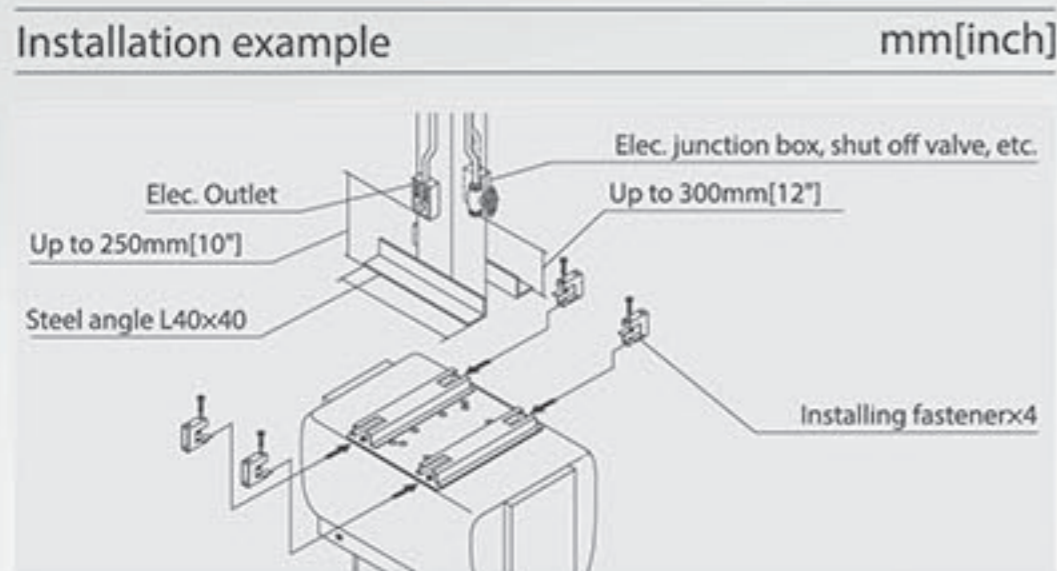
Great for corporate logo placement.

Number of reels can be customizable.

Custom logo option



Can be customized logo for each customer.



Model description

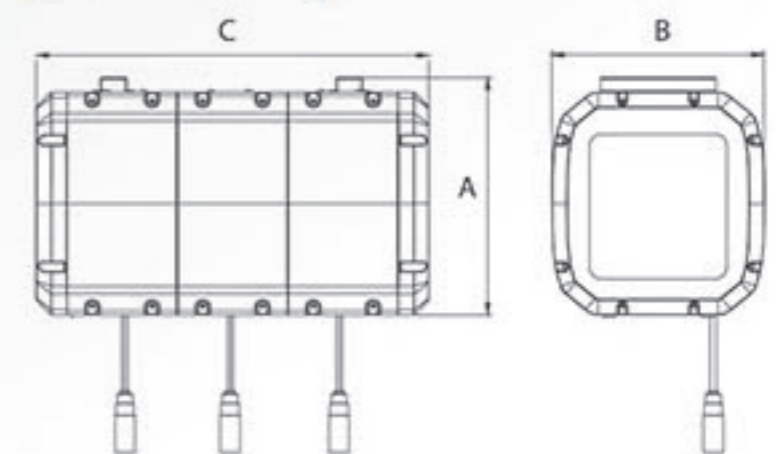
- No back light type

SBB-■ SS / S / L
└─ Number of reels

- Back light type

SBB-■ SSi / Si / Li
└─ Number of reels

Dimensions



Reel BOX SBB-SS



Reel BOX
SBB - ■ SS

Compatible reels :
S series Small size reels

Model	# of reels	Dimensions (mm)			Weight(kg)
		A	B	C	
SBB-1SS	1	397	355	287	8.5
SBB-2SS	2	397	355	472	9.3
SBB-3SS	3	397	355	657	10.2
SBB-4SS	4	397	355	842	11.2
SBB-5SS	5	397	355	1027	12.2
SBB-6SS	6	397	355	1212	13.2
SBB-7SS	7	397	355	1397	14.2
SBB-8SS	8	397	355	1582	15.2

[Accessory] Installation clamp/ Screw for fixing installation clamp
※Weight shown is just for box, not including inside reels.

Reel BOX SBB-S



Reel BOX
SBB - ■ S

Compatible reels :
S series Small size reels
S series Medium size reels
O series reels
Z series Small size reels
G series Small size reels

Model	# of reels	Dimensions (mm)			Weight(kg)
		A	B	C	
SBB-1S	1	493	453	402	20.9
SBB-2S	2	493	453	702	30.3
SBB-3S	3	493	453	1002	39.7
SBB-4S	4	493	453	1302	49.2
SBB-5S	5	493	453	1602	58.6
SBB-6S	6	493	453	1902	68.1
SBB-7S	7	493	453	2202	77.5
SBB-8S	8	493	453	2502	87

[Accessory] Installation clamp/ Screw for fixing installation clamp
※Weight shown is just for box, not including inside reels.

Reel BOX SBB-L

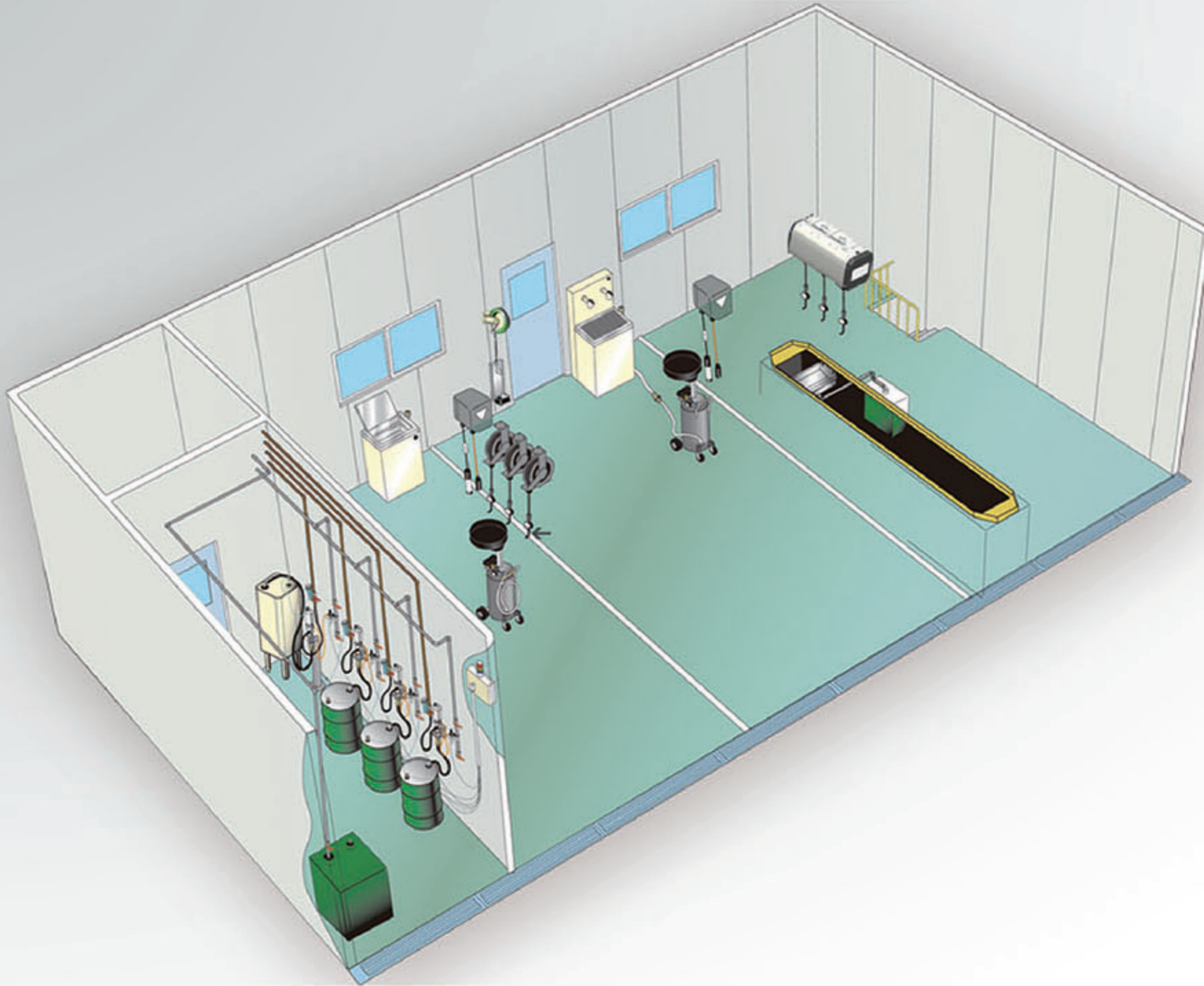


Reel BOX
SBB - ■ L

Compatible reels :
S series Small size reels
S series Medium size reels
O series reels
Z series Small size reels
Z series Large size reels
G series Small size reels
G series Medium size reels

Model	# of reels	Dimensions (mm)			Weight(kg)
		A	B	C	
SBB-1L	1	693	560	402	24
SBB-2L	2	693	560	702	34.5
SBB-3L	3	693	560	1002	45
SBB-4L	4	693	560	1302	55.5
SBB-5L	5	693	560	1602	66
SBB-6L	6	693	560	1902	76.5
SBB-7L	7	693	560	2202	87
SBB-8L	8	693	560	2502	97.5

[Accessory] Installation clamp/ Screw for fixing installation clamp
※Weight shown is just for box, not including inside reels.



Oil Pump



OP-D5L

Pneumatic oil pump for drum Can

Ratio: 5:1
height: 1257mm
air input: 0.4MPa-0.6MPa
weight: 8.3KGS

*Oil pump set available.



OP-W5L

Pneumatic oil pump for wall mount

Ratio: 5:1
height: 830mm
air input: 0.4MPa-0.6MPa
weight: 4.1KGS

Oil meter



DM-2600

*Digital oil meter
Comes with non-drip nozzle and filter

flow rate: 1-35 L/min.
Pressure: 0.035-6.8 Mpa
Precision: $\pm 0.5\%$
Viscosity: 8-5000m Pas
Weight: 1,580 g



DM-P6

*Preset type digital oil meter
Comes with non-drip nozzle and filter

flow rate: 1-30 L/min.
Pressure: 0.035-6.5 Mpa
Precision: $\pm 0.5\%$
Viscosity: 8-5000m Pas
Weight: 1,690 g

Oil Nozzle



OG-1

Oil nozzle with no meter. Comes with non-drip nozzle and filter.

Drip pan



OT-H1

*Oil meter stand
Used for wall installation to prevent oil drop on the floor
Dimensions : 208mmx142mmx550mm

Company Profile

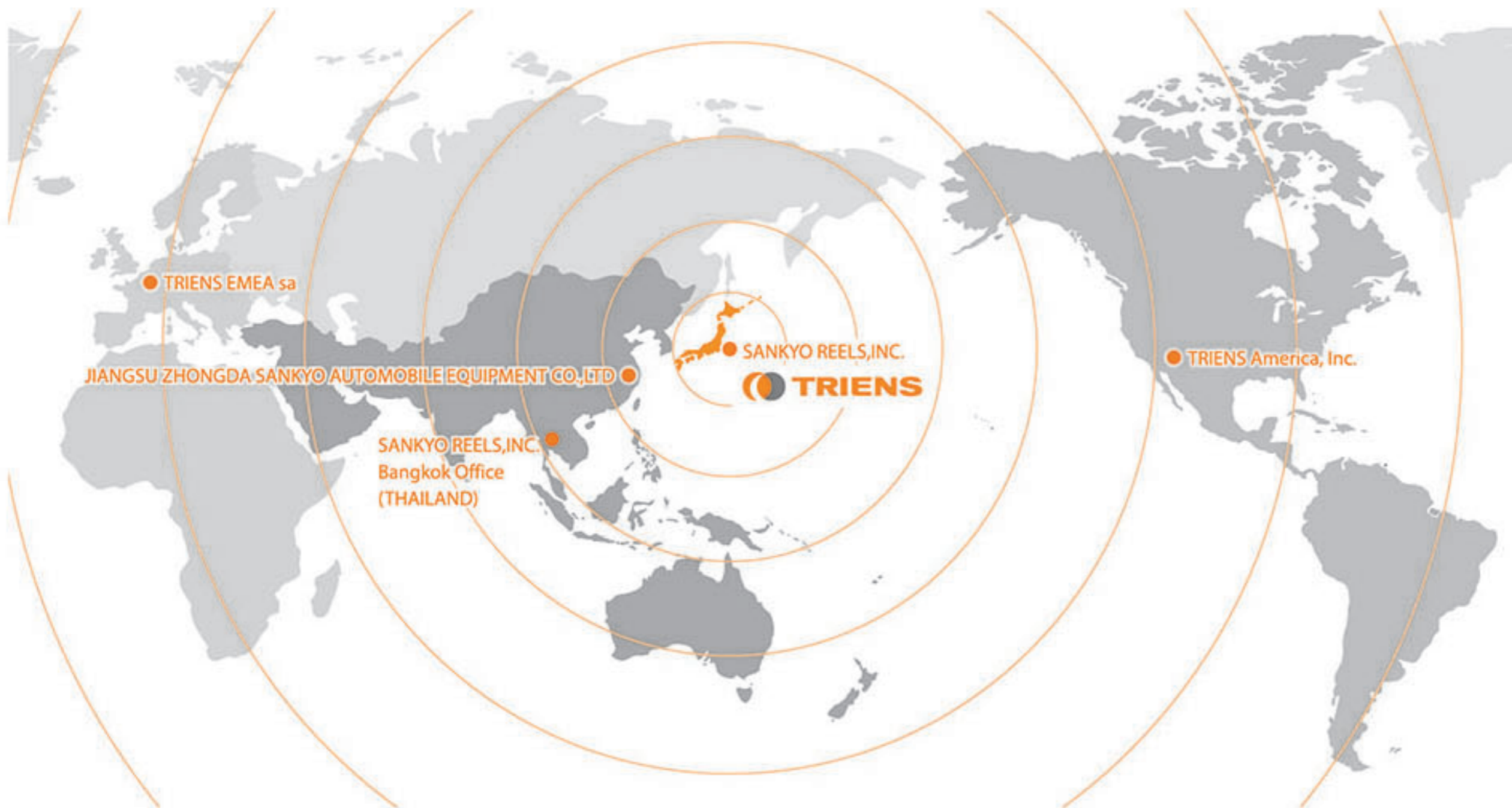
Company name: SANKYO REELS,INC.
Location of
Head quarter : 279-5 Sanno-cho, Inage-ku, Chiba-shi
Chiba 263-0002 Japan
Phone : +81-43-421-5551
Fax : +81-43-421-5553
<http://www.triensasia.com>
e-mail:international@triens.jp



Foundation : June 1968
Capital : JPY 36,000,000 (Whole Groupe 280,000,000)
Products : Air Hose Reel • Outlet Cord Reel• Water Reel• High Pressure Reel and other reels
Manufacture and sales of Automotive tools
Representative : CEO Kentaro MIKI

Global Network

TRIENS brand is expanding globally with its sales hubs in Europe, United States and China. You can find TRIENS products through Europe, Middle East, Africa, Asia, Oceania and North America.



China office and Factory
88#Building Xinyuan Road Yancheng Economic Development Zone,
Jiangsu Province, P.C 224007, CHINA
TEL. +86-515-88286100 FAX. +86-515-88285432
<http://www.triens.cn/>



2420 W. 1st, St #59
Tempe, AZ. 85281
TEL.+1-480-219-6931 FAX.+1-480-219-7294
<http://www.triens.us/>



Rue de Jodoigne 22A
BE-1367 HUPPAYE-BELGIUM
TEL.+32-10-88-13-73 FAX.+32-4-290-06-18
<http://www.triens.eu/>



SANKYO REELS,INC. Bangkok Office
Jasmine Bldg.12th Floor.
Soi Prasarnmitr(Sukhumvit 23),
Sukhumvit RD,North klongtoey,Wattana,
BANGKOK 10110 THAILAND
TEL.+66(0)2-612-7329 FAX.+66(0)2-612-7399
<http://www.triensasia.com>



WIND THE GLOBE

Web site <http://www.triensasia.com>

Global site <http://www.triens.co.jp>



SANKYO REELS, INC.

279-5 Sanno-Cho, Inage-Ku, Chiba-shi

Chiba 263-0002 Japan

Phone: +81-43-421-5551

Fax : +81-43-421-5553

info@triensasia.com